

TRAILER **TECHNOLOGY**
INDUSTRIAL **BRAKES**

KNOTT 



COMPANY PROFILE

KNOTT spol. s r.o. was established in August 1991 in Modra as a limited company. It is part of the KNOTT-Holding GmbH Group, which has further manufacturing plants in Germany, Italy, Great Britain, USA, Poland, Hungary and Romania. Besides this, the company has representation across all of Europe, North America, Asia and Africa.

Our mainstay activity is the production of braked and non-braked axles, overrun brakes for trailers and trailer accessories, industrial brakes for construction and agricultural machines as well as for fork-lift trucks and special-purpose trucks. KNOTT is regarded as a “tailor-made manufacturer”. The company’s strategy offers, besides advisory services, also cooperation with the customer as early as in the development stage of a new product, the inseparable part of which is using the in-company accredited testing laboratory with all-European validity. Personal and qualified attitude, consultancy as well as the first-rate quality of products are characteristic for all enterprises within the Group. We provide delivery logistics of components, spare parts and service worldwide, reliably and at the highest level.



PRODUCTION PROGRAM

The production program of KNOTT spol. s r.o. in Modra follows the tradition of trailer technology and brakes production based on the originating sister company in Germany. By building our own Design Development Division our company has ranked amongst the leading producers of trailer technology in the world. We follow up new trends in this field and produce new as well as standard products that you can see on our webpage.

Our main target is to satisfy the customer even in case of non-standard requests in the field of trailer technology. Therefore, our range of products widens and innovates year after year. This gives our company good premises to be successful among the competition of other companies with similarly oriented product portfolio.





TRAILER TECHNOLOGY

Complete systems for global development. Axles, overrun brakes and brake systems made by KNOTT are used in flatbed trailers, trailers transporting cars, boats, cattle and horses, as well as in dwelling, box and refrigerator trailers.

KNOTT has an outstanding position on the trailer technology market. We belong to the most significant and prominent suppliers in Europe as well as abroad. With the most modern production equipment in use, we have every prerequisite needed for further improving our position on the growing global market.





KNOTT trailer technology program includes:

Axles with loading capacity of up to 3,5t

- Non-braked axles
- Braked axles
- Special axles

Overrun brakes with loading capacity of up to 3,5t

- Flange fitted
- Drawbar tube fitted
- Height-adjustable

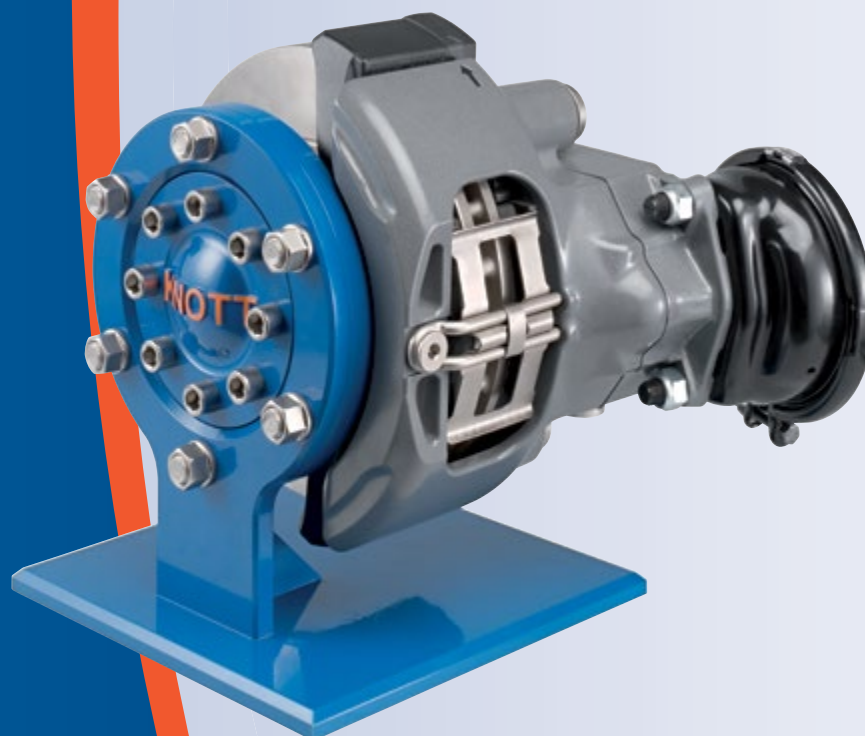
Special trailer technology and chassis

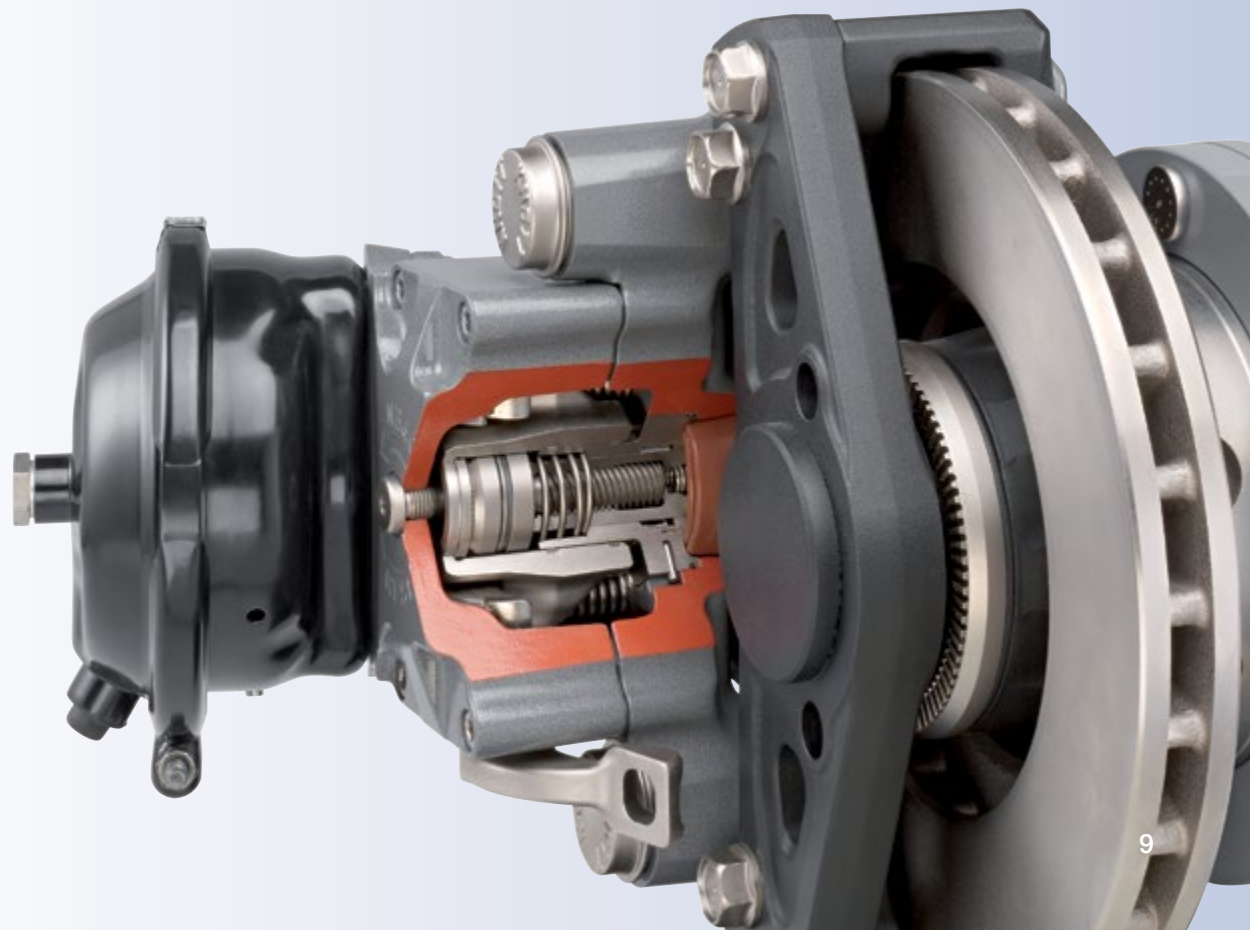
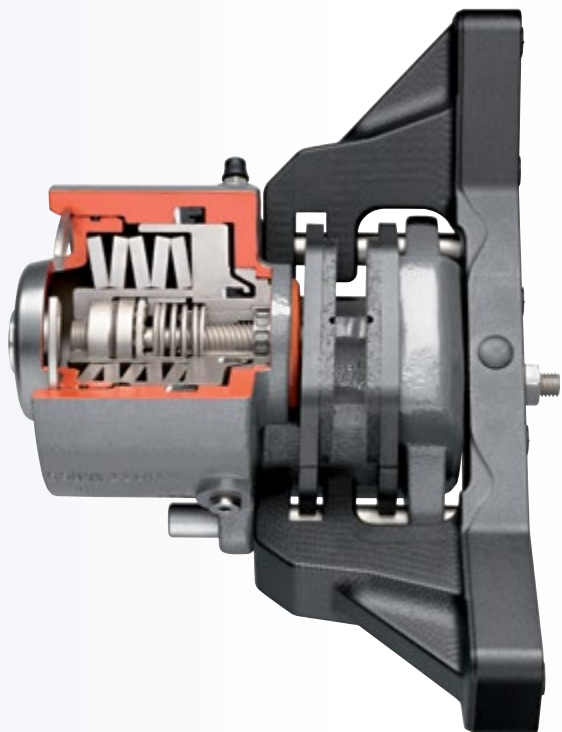
- Steering chassis with turntable or Ackermann-steering for up to 8t
- Low-speed chassis with leaf springs for up to 8t
- Special, air- or hydraulic-braked chassis for up to 5t
- and many other solutions

INDUSTRIAL BRAKES

Production of tailor-made braking systems. The variety of products made by KNOTT regarding brake technology is unparalleled. The customer can choose from more than 2000 size variants and designs. Renowned manufacturers have laid their odds on the quality and reliability of KNOTT products for decades.

No wonder that KNOTT, owing to its versatility in this field, is a global leader. Thanks to the development of new products and never-ending improvement of the existing ones, KNOTT will maintain its position at the top long into the future.





AIRPORT TECHNOLOGY

The production program of KNOTT spol. s r.o. in Modra has been expanded to include the production of trailers, designed to operate in the airport ground handling.

The currently produced baggage and container trailers present a reliable solution for airport operations, be it baggage transportation or a safe concept for transportation of ULD containers.

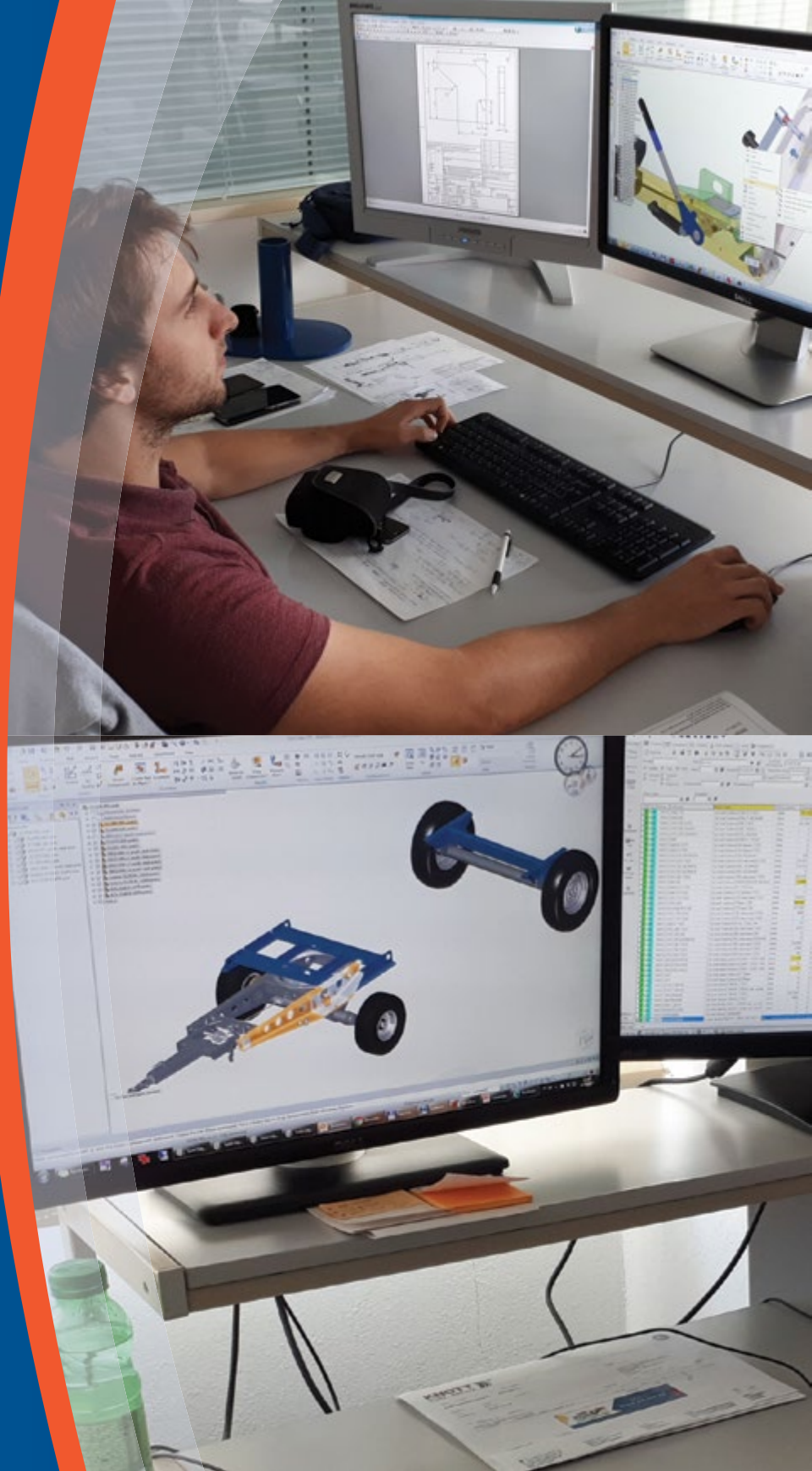


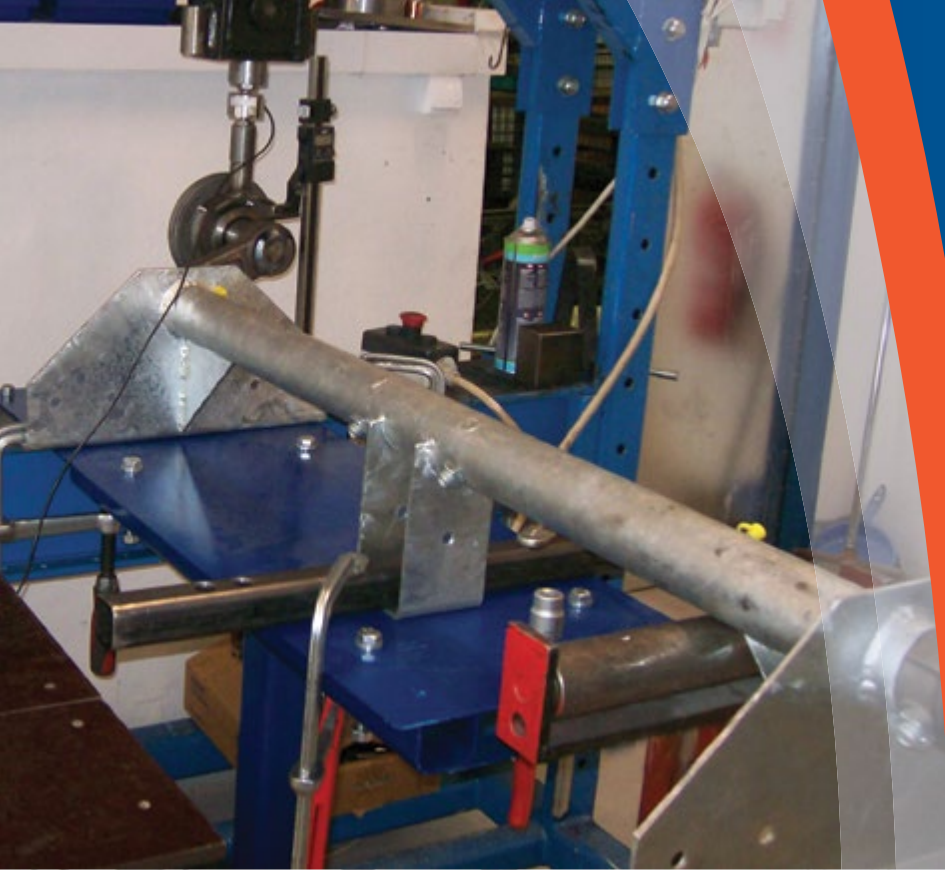


DESIGN AND DEVELOPMENT

The department of design and development in KNOTT spol. s r.o. provides a complex product design followed by testing in accredited laboratory, subsequent approval and operation introduction according to valid European regulations.

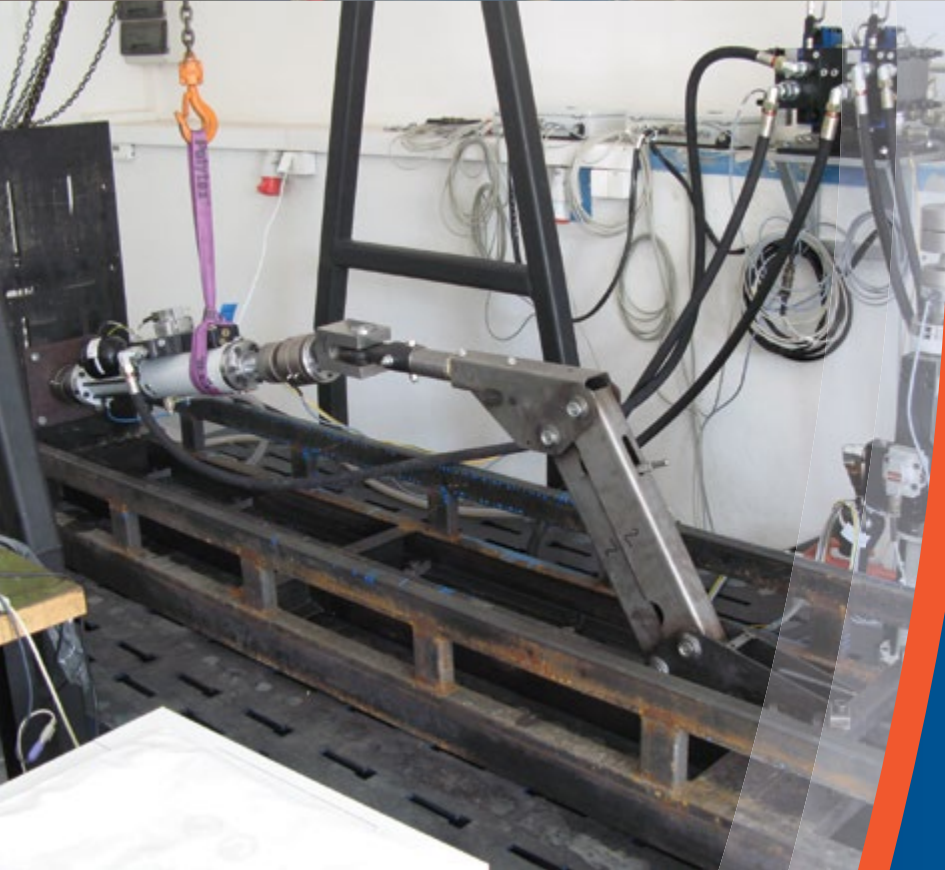
The design and development department is equipped with modern computing technology and state of the art software tools to considerably shorten the time between the first project design and the final series-production approval. The whole design division (engineering, technological department, testing laboratory) is interconnected by computer network with the rest of KNOTT Group, which has several design and development departments worldwide.





TESTING LABORATORY

The accredited KNOTT testing laboratory was built upon continuously increasing demands for quality and safety of products, designated for road use. Apart from fatigue life tests of coupling devices according to the ECE R55 standard, it is also used for testing of various axle suspension types, with the possibility to apply real loading from road traffic or testing grounds of automobile factories.



Types of executed tests:

- Fatigue tests according to ECE R55
- Suspension characteristics measurements of various axle types
- Trailer driving tests at testing grounds
- Strain-gauge measurements

These services are offered to external companies as well.

PRODUCTION POSSIBILITIES

Products made by our company are mostly intended for trailer technology. Our workstations and production possibilities has gradually been adapting to this.



MATERIAL PARTITION AND PREPARATION

A very essential part of production is the preparation of material. Our company uses modern machines for laser cutting, bending and cutting of the materials used in our products.



WELDING

Besides manual welding in special fixtures, robotized workplaces have been built where a large part of welding operations is being done today.



ASSEMBLY

Assembly stations and workplaces for brake shoes manufacturing are mostly arranged in a nest-like fashion. The assembly line for complete assembly of undercarriages with frames is configured in a modern layout, where workplaces for nuts riveting into frames are linked with the assembly of complete undercarriages.



MACHINING

With the transition of our company to the manufacturing of ever more sophisticated products, the methods of components machining were addressed. Nowadays, our company possesses modern machining centres that can manufacture components even for the most complicated products that we have in our product range.



BRAKE SHOE PRODUCTION

The production line for brake shoe manufacturing is fully automated. This automation represents an effective production process, which is completely monitored, controlled, evaluated and archived. The annual capacity of the production line reaches 3 000 000 pieces of brake shoes.



QUALITY CONTROL

- Our foremost interest is the customer's satisfaction. Therefore we follow newest trends and technologies in the fields of quality control systems, measurements and metrology.
- The first quality control system ISO 9002-1994 was introduced in KNOTT spol. s r.o. in 1999.
- Nowadays, the quality assurance system is based on the newest ISO standards (currently STN EN ISO 9001 - 2015) what allows us to be a reliable supplier under all circumstances.
- Currently, we possess two WENZEL 3D measuring devices, Mitutoyo hardness tester, MAHR roughness tester (3 pieces) and measurement equipment for length, depth and circular dimensions.



Quality management certificate ISO 9001:2008



Accreditation certificate



Stamp of credit of Slovak Republic 2015



Stamp of credit 2015

In our company, we follow these principles:

Customer satisfaction **K**now-how

Strategy of **N**ull error rate

Development of **O**rganization

Meeting the **T**erms

Orientation towards quality **T**rends



Reliable engineering
company 2016



REFERENCES





Slovak Republic

KNOTT spol. s r.o.

Dolná 142
900 01 Modra

Phone: +421 33 690 25 11

Fax: +421 33 690 25 55

E-Mail: knott@knott.sk

Web: www.knott.sk

Czech Republic

KNOTT CZ s. r.o.

Nádražní 41
693 01 Hustopeče

Phone: +420 519 322 321

Fax: +420 519 816 702

E-Mail: knott@knott.cz

Web: www.knott.cz